

DTC20

HYDRAULIC PILING RIG

 **GEAX**



GEAX DTC20

AGILITY ON SITE

COMPACT DESIGN

The DTC20, like all the Geax DTC series rigs is characterized by a very compact design which makes it the machine of choice for limited access, narrow and very low headroom jobsites.

UNIQUE ARCHITECTURE

The Geax DTC series are characterised by a long supporting boom and a sliding monolithic mast which encloses the kelly bar internally. This solution guarantees a stiffer and lighter design, enabling a great variety of tool positioning including long reach.

MANEUVERABILITY

With its compact dimensions and proverbial stability, the DTC20 can drill in any site including slopes, uneven terrains, and tight spaces. The higher maneuverability allows fast movements compared to a traditional rig.

HIGH PRODUCTIVITY

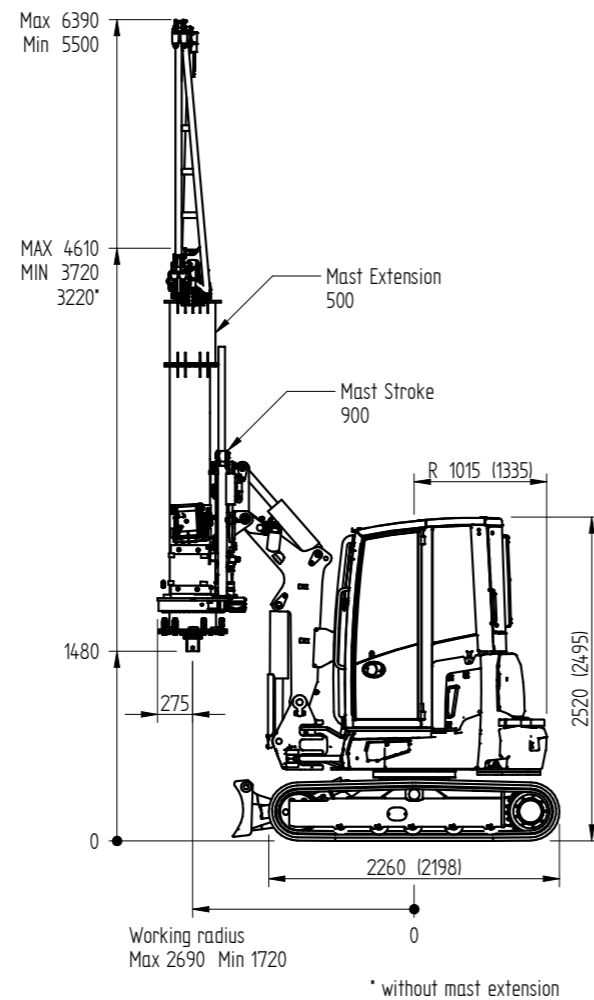
Thanks to the high maneuverability on site, and the efficiently engineered hydraulics with high quality components, the DTC20 offers superior performance relative to the size, while keeping very low running costs.



KELLY BAR OPTIONS

n° elements x m	Depth	H
7 x 2 ² (standard)	m - ft 13 - 42.65	1.48 - 4.85
9 x 2 ²	m - ft 17 - 55.8	1.48 - 4.85
6 x 2.5 Heavy Duty	m - ft 13.5 - 44.3	1.48 - 4.85
7 x 2.5	m - ft 15.7 - 51.5	1.48 - 4.85
9 x 2.5	m - ft 21.5 - 70.5	1.48 - 4.85

All kelly bars are round interlocking



TECHNICAL DATA SHEET



BASE CARRIER

Engine	type	D1803 - 403J
Exhaust emission	EU EPA	Stage V Tier4f
Engine power	kW (hp)	32.3 (43.3) - 32.5 (43.6)
Main pumps	l/min	115 - 90
Hydraulic pressure	bar	280 - 245



MAST

Forward tilt	deg	>10
Backward tilt	deg	>10
Lateral tilt	deg	± 7
Mast vertical stroke	mm - ft	900 - 2.95



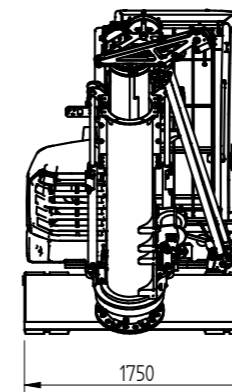
WINCHES

Main winch line pull (1st layer)	kN - lbf	30 - 6.750
Aux winch line pull (1st layer)	kN - lbf	16 - 3.600



DRILLING

Max pile diameter ¹	mm - in	800 - 32
Std pile depth	m - ft	13 - 42.65
Max pile depth	m - ft	21.5 - 70.5
Min working headroom ²	mm - ft	3.220 - 10.5



UNDERCARRIAGE

Tracks width	mm - ft	1.750 - 5.75
Tracks length	mm - ft	2.260/2.198 - 7.4/7.2
Track shoes	mm - ft	350 - 1.15
Tail radius	mm - ft	1.015/1.335 - 3.33/4.38



ROTARY HEAD

Torque (nominal)	kNm - lbf ft	17 - 12.500
Drilling speed	rpm	20 - 35
Spin-off speed	rpm	60



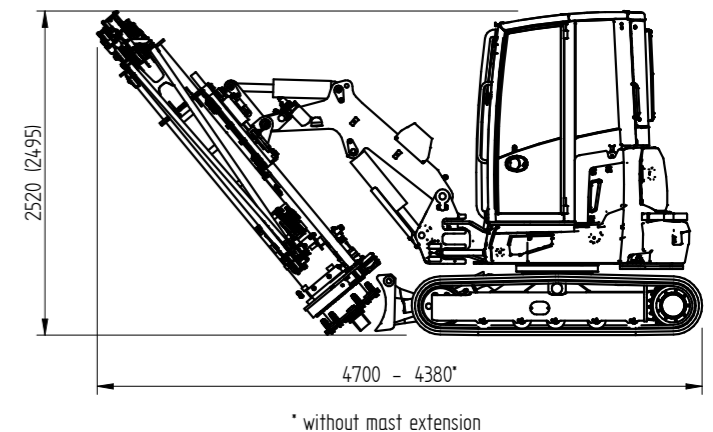
CROWD SYSTEM

Pull down force	kN - lbf	40 - 8.990
Extraction force	kN - lbf	70 - 15.700



TRANSPORT

Length	mm - ft	4.700 - 15.4
Width	mm - ft	1.750 - 5.75
Height	mm - ft	2.520 - 8.26
Weight	kg - lbs	6.200 - 13.670



- Values are effective except where otherwise specified.
- Technical data are provided as indicative information only, they are subject to change without prior notice.

- NOTES:
1. Recommended
 2. Removing the mast extensions



WWW.GEAX.IT
email: info@geax.it
tel: +39 0717131953

GEAX srl
Contrada Passatempo 19
Montefano (MC) ITALY