

Link-Belt®

C R A N E S

The Link-Belt TCC is the future of how tough jobs get done!

- ✓ Low overhead clearance
- ✓ Unprecedented pick and carry capacities
- ✓ Link-Belt's vision package
- ✓ Cummins Tier 4F diesel engine
- ✓ Fast set up & move

TCC 550

55-ton | 50 mt Telescopic Crawler Crane

- 36.75' – 115' (11.2-35.1m) Form boom
- 115' + 51' (35.1-15.5m) Max boom & Fly
- 17,084lbs (7 749.1kg) Max line pull
- 11,080lbs (5 025.8kg) Permissible load
- 25,000lbs (11 340kg) Standard counterweight
- 11,000 lbs (4 989 kg) XL package- optional
- 15' 5.2" (4.7m) Extended track width
- 13' 6" (4.1m) Intermediate width
- 11' 5" (3.5m) Retracted track width



Link-Belt®

TCC 550

55-ton (50 mt) Telescopic Crawler Crane

Remarkable control, reliability and capacity performance

- **Cummins QSB** diesel engine provides compliance for:
 - North America's Tier 4 Final and European Stage 4, or
 - High sulphur fuel regions optional
- Variable displacement piston type main pumps with **total horsepower control**
- List capacities
- Main hoist's powered through piston motors & winch planetary drums grooved for 5/8" | 16mm wire rope with 17,084 lbs (7 749 kg) available **line pull**
- 549 fpm (167.5 m/mm) **line speed**
- Mechanical & visual **drum rotation indicators**

Full power boom with attachment flexibility

- **Full power** 36.75 ft to 115 ft (11.5 to 35.1 m) four-section boom
- Two boom extend modes: **EM1** mode extends all four sections equally. Exclusive **EM2** mode offers substantially increased capacities in close.
- **Maximum boom/jib length:** 115 ft + 51' ft (35.1 m + 15.5 m)
- Optional 28.5 ft to 51 ft (8.7 m to 15.6 m) **two-piece on-board lattice fly** with 2°, 20° and 40° offsets
- Lightweight **nylon head sheaves** with sealed bearings reduce overall machine weight and increase lift capacities
- **Quick reeve boom head** with quick reeve block allows rope to be easily reeved over boom head
- **Hammerhead boom nose** allows operator to work at high boom angles
- **Auxiliary sheave** off main boom
- Optional boom mounted 360° remote control **high intensity LED work light**
- Greaseless boom wear pads
- Optional 360° House remote **high intensity LED work light**

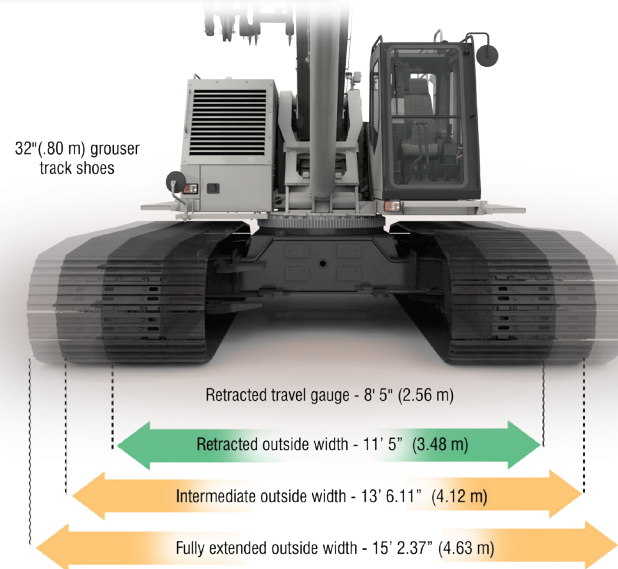
Quick mobilization & superb job-site mobility

- Transports **COMPLETE in one LOAD** under **100,000 lbs (45 mt) w/standard counterweight**
- **Hydraulic retractable side frames** for transport
- **Fold-up catwalks**
- Fast folding **upper guard rails**
- **Counter weight removal**
- **100% self-assembly**



Link-Belt PULSE

- State of the art rated capacity limiter
- Sliding left side door
- AM/FM radio
- Air conditioner / hot water heater
- Foot throttle pedal
- Travel pedals
- Rear view & winch view camera with color in-cab monitor
- Single axis controls or optional joysticks



Link-Belt Preferred

Comprehensive support for Link-Belt crane owners

Online site planning tools and a broad based archive of crane manuals provide customers a valuable asset to successfully operate and maintain their Link-Belt Crane. Along with experienced factory technicians, Link-Belt also offers an extensive factory trained distributor network to assist crane owners with everything from general repair to parts delivery.



Link-Belt
CRANES
Lexington, Kentucky | www.linkbelt.com

© Link-Belt is a registered trademark. Copyright 2023. All rights reserved. We reserve the right to change designs and specifications at any time. Litho in U.S.A. 4333 2/23 #4599