



# Link-Belt<sup>®</sup>

## EXCAVATORS

SPEC SHEET (PRELIMINARY)

# 170 X4S

# 170 X4S SPECIFICATIONS

**SAE Net Horsepower**  
120 hp (89.7 kW)

**Operating Weight**  
39,500 lbs (17,900 kg)

**Swing Torque**  
33,300 lbf-ft (45.1 kNm)



## ENGINE

Engine	YANMAR 4TN107FHT-4SSH1 Final Tier 4 turbocharged diesel engine
SAE J 1349 net horsepower	120 HP (89.7 kW) @ 2200 min <sup>-1</sup> (rpm)
Displacement	279 cu in (4.57 L)
Maximum Torque	434 lbf-ft (589 N-m) @ 1500 min <sup>-1</sup> (rpm)
Starter	24 V - 5.0 kW
Alternator	80 amp
Voltage	24 V

## HYDRAULIC SYSTEM

### Hydraulic Pumps

Pump Output	2 x 42 gpm (159 L/min)
Pilot Pump Maximum Flow	5.8 gpm (22 L/min)

### Relief Valve Settings

Boom Up / Arm / Bucket in Power Boost	4,970 psi (34.3 MPa) 5,260 psi (36.3 MPa)
Swing Circuit	4,050 psi (27.9 MPa)
Travel Circuit	4,970 psi (34.3 MPa)

### Hydraulic Cylinders

### Number of Cylinders - Bore x Stroke

Boom	2 - 4.5" x 46.4" (115 mm x 1179 mm)
Arm	4.9" x 50.4" (125 mm x 1280 mm)
Bucket	4.1" x 38.8" (105 mm x 985 mm)

## SWING

Swing Speed	11.8 rpm
Tail Swing	8' 2" (2.49 m)
Swing Torque	33,300 lbf-ft (45.1 kNm)

# 170 X4S SPECIFICATIONS

## UNDERCARRIAGE

Carrier Rollers	2 per Side
Track Rollers	7 per Side
Track Link Pitch	7.5" (190 mm)
Shoes	44 per Side
Shoe Width	23.6" (600 mm)
Ground Pressure	6.1 psi (0.042 MPa)

## TRAVEL SYSTEM

Travel Speeds	1.9 - 3.2 mph (3.0 - 5.2 km/h)
Drawbar Pull	36,200 lbf (161 kN)
Gradeability	70% (35°)

## ATTACHMENT

HD Boom	16' 11" (5.15 m)
<b>Available Arms</b>	<b>Digging Force</b>
8' 7" (2.62 m)	17,800 lbf (79.0 kN)
with Auto Power Boost	18,800 lbf (84.0 kN)
10' 0" (3.05 m)	16,200 lbf (72.0 kN)
with Auto Power Boost	17,300 lbf (77.0 kN)
Bucket Digging Force	25,200 lbf (112.0 kN)
with Auto Power Boost	26,500 lbf (118.0 kN)

## LUBRICANT AND COOLANT CAPACITY

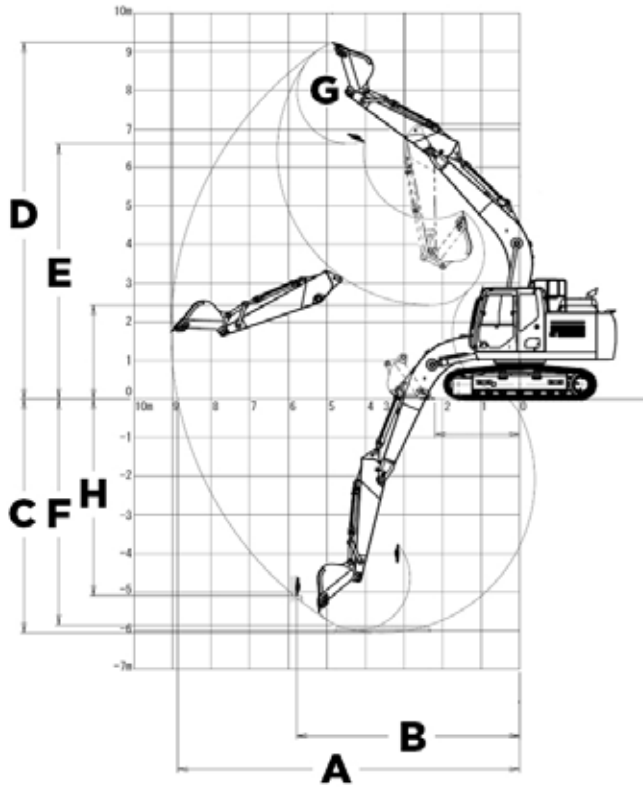
Fuel Tank	79 Gallons (300 Liters)
Hydraulic System	45 Gallons (170 Liters)
Hydraulic Tank	22 Gallons (82 Liters)
Final Drive (per side)	1.2 Gallons (4.5 Liters)
Swing Drive	1.3 Gallons (4.8 Liters)
Engine Oil	5.7 Gallons (21.5 Liters)
DEF Tank	16 Gallons (60 Liters)
Coolant System	6.2 Gallons (23.3 Liters)

## OPERATING WEIGHT

Working weight with 23.6" (600 mm) shoes, 16' 11" (5.15 m) boom, 8' 7" (2.62 m) arm, 1,067 lbs (484 kg) bucket, 6,720 lbs (3,050 kg) counterweight	39,500 lbs (17,900 kg)
---	------------------------

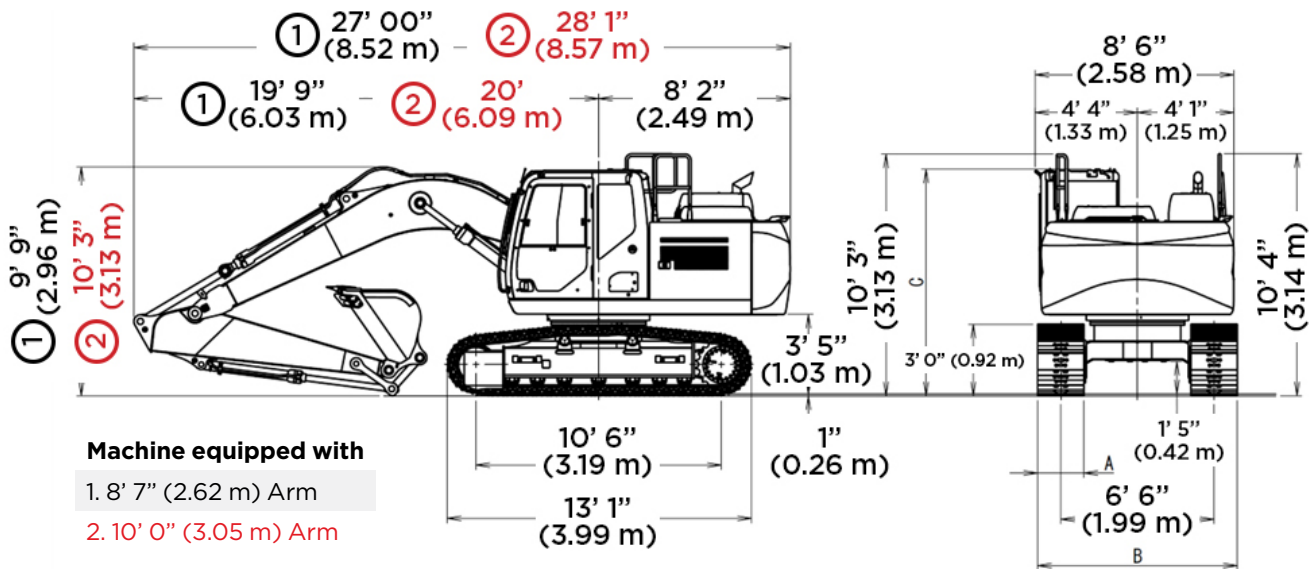
# 170 X4S SPECIFICATIONS

## WORKING RANGE



Machine Equipped with 16' 11" (5.15 m) Boom	Arm 8' 7" (2.62 m)	Arm 10' 0" (3.05 m)
A. Maximum reach	29' 8" (9.04 m)	30' 9" (9.38 m)
B. Maximum reach @ ground level	29' 1" (8.87 m)	30' 3" (9.22 m)
C. Maximum dig depth	19' 11" (6.06 m)	21' 4" (6.49 m)
D. Maximum dig height	30' 4" (9.24 m)	30' 6" (9.29 m)
E. Maximum dump height	21' 8" (6.61 m)	21' 11" (6.69 m)
F. Digging depth 8' (2.44 m) level bottom	19' 2" (5.85 m)	20' 8" (6.29 m)
G. Bucket rotation	178°	178°
H. Maximum vertical wall depth	16' 8" (5.08 m)	17' 2" (5.22 m)

## TRAVEL DIMENSIONS



Machine equipped with  
 1. 8' 7" (2.62 m) Arm  
 2. 10' 0" (3.05 m) Arm

Undercarriage	Option	
A. Shoe Width	23.6" (600 mm)	27.5" (700 mm)
B. Overall Width	8' 6" (2.59 m)	8' 10" (2.69 m)

Cab Specification	C: Cab Height
STD. (No Equipment)	9' 8" (2.94 m)
With Head Guard	10' 0" (3.05 m)
With Vandal Cover	10' 0" (3.05 m)
With Head Guard & Vandal Cover	10' 4" (3.14 m)



# 170 X4S SPECIFICATIONS

## LIFT CAPACITIES

### RADIUS OF LOAD:

8' 7" (2.62 M) ARM WITH 16' 11" (5.15 M) BOOM WITH POWER-BOOST APPLIED

		5' 0" (1.5 m)		10' 0" (3.0 m)		15' 0" (4.5 m)		20' 0" (6.0 m)		25' 0" (7.5 m)		30' 0" (9.0 m)		Cap at Max. Reach	
End	Side	End	Side	End	Side	End	Side	End	Side	End	Side	End	Side	End	Side
+30' 0"	lbs														
(9.14 m)	kg														
+25' 0"	lbs													6,800*	6,800*
(7.5 m)	kgs													3080*	3080*
+20' 0"	lbs							7,750*	7,650					5,900*	5,900*
(6.0 m)	kg							3,515*	3,465					2,675*	2,675*
+15' 0"	lbs					11,450*	11,450*	10,700*	7,550					5,650*	5,650*
(4.5 m)	kg					5,190*	5,190*	4,850*	3,420					2,560*	2,560*
+10' 0"	lbs			21,800*	20,100	14,500*	11,000	11,150	7,250					5,700*	5,150
(3.0 m)	kg			9,885*	9,115	6,575*	4,985	5,055	3,285					2,585*	2,335
+5' 0"	lbs					16,600	10,200	10,700	6,850	7,100*	4,950			6,000*	4,900
(1.5 m)	kg					7,525	4,625	4,850	3,105	3,220*	2,245			2,720*	2,220
Ground	lbs			14,200*	14,200*	16,000	9,700	10,400	6,600					6,650*	5,000
Line	kg			6,440*	6,440*	7,255	4,395	4,715	2,990					3,015*	2,265
-5' 0"	lbs	12,950*	12,950*	23,450*	17,400	15,800	9,500	10,300	6,450					8,000*	5,500
(1.5 m)	kg	5,870*	5,870*	10,635*	7,890	7,165	4,305	4,670	2,925					3,625*	2,490
-10' 0"	lbs	23,050*	23,050*	26,100*	17,700	15,950	9,600							10,750	6,800
(3.0 m)	kg	10,455*	10,455*	11,835*	8,025	7,230	4,350							4,875	3,080
-15' 0"	lbs			18,450*	18,450*									12,700*	11,150
(4.5 m)	kg			8,365*	8,365*									5,760*	5,055

### NOTES: EXCAVATOR LIFTING CAPACITIES

- The lift capacities above are based on the ISO standard, ISO 10567:2007 - "Earthmoving Machinery - Hydraulic Excavators - Lift Capacity"
- Lifting capacities shown should not be exceeded. The weight of all lifting accessories must be deducted from the above lifting capacities. The use of a work tool attachment point as the lift point could affect the machine lift performance.
- Lifting capacities are based on the machine standing on a firm, uniform supporting surface. Users must make allowances for job conditions such as soft or uneven ground.
- Lifting capacities shown do not exceed 75% of the minimum tipping loads or 87% of the hydraulic capacities. Lifting capacities marked with an asterisk (\*) are limited by hydraulic capacities.
- The least stable position is lifting over the side.
- Operators should be fully acquainted with the Operator's Manual & Operating Safety Booklet, furnished by LBX Company LLC before operating the machine.
- Lift capacities apply only to the machine as originally manufactured and normally equipped by LBX Company LLC.
- This lift chart is without bucket, bucket cylinder, and bucket linkage. If the machine is equipped with any of these components the weight of those components must be deducted from the listed lifting capacities.
- Weight of removed components: bucket cylinder 292.6 lbs (132.7 kg) and linkage 372.1 lbs (168.8 kg).

# 170 X4S SPECIFICATIONS

## LIFT CAPACITIES

### RADIUS OF LOAD:

10' 0" (3.05 M) ARM WITH 16' 11" (5.15 M) BOOM WITH POWER-BOOST APPLIED

		5' 0" (1.5 m)		10' 0" (3.0 m)		15' 0" (4.5 m)		20' 0" (6.0 m)		25' 0" (7.5 m)		30' 0" (9.0 m)		Cap at Max. Reach	
End	Side	End	Side	End	Side	End	Side	End	Side	End	Side	End	Side	End	Side
+30' 0"	lbs														
(9.14 m)	kg														
+25' 0"	lbs													5,950*	5,950*
(7.5 m)	kgs													2695*	2695*
+20' 0"	lbs							8,150*	7,800					5,300*	5,300*
(6.0 m)	kg							3,695*	3,535					2,400*	2,400*
+15' 0"	lbs							9,800*	7,600					5,100*	5,100*
(4.5 m)	kg							4,445*	3,445					2,310*	2,310*
+10' 0"	lbs			18,850*	18,850*	13,300*	11,150	11,200*	7,250	7,650*	5,100			5,200*	4,800
(3.0 m)	kg			8,550*	8,550*	6,030*	5,055	5,080*	3,285	3,465*	2,310			2,355*	2,175
+5' 0"	lbs			17,650*	17,650*	16,700	10,250	10,750	6,850	7,650	4,950			5,550*	4,550
(1.5 m)	kg			8,005*	8,005*	7,570	4,645	4,875	3,105	3,465	2,245			2,515*	2,060
Ground	lbs			16,300*	16,300*	16,000	9,650	10,350	6,500	7,500*	4,800			6,150*	4,600
Line	kg			7,390*	7,390*	7,255	4,375	4,690	2,945	3,400	2,175			2,785*	2,085
-5' 0"	lbs	12,550*	12,550*	22,900*	17,100	15,700	9,400	10,150	6,350					7,400*	5,000
(1.5 m)	kg	5,690*	5,690*	10,385*	7,755	7,120	4,260	4,600	2,880					3,355*	2,265
-10' 0"	lbs	20,700*	20,700*	27,450*	17,350	15,700	9,400	10,250	6,400					9,550	6,000
(3.0 m)	kg	9,385*	9,385*	12,450*	7,865	7,120	4,260	4,645	2,900					4,330	2,720
-15' 0"	lbs			21,300*	17,950	14,300*	9,800							12,950*	9,000
(4.5 m)	kg			9,660	8,140	6,485*	4,445							5,870*	4,080

### NOTES: EXCAVATOR LIFTING CAPACITIES

- The lift capacities above are based on the ISO standard, ISO 10567:2007 - "Earthmoving Machinery - Hydraulic Excavators - Lift Capacity"
- Lifting capacities shown should not be exceeded. The weight of all lifting accessories must be deducted from the above lifting capacities. The use of a work tool attachment point as the lift point could affect the machine lift performance.
- Lifting capacities are based on the machine standing on a firm, uniform supporting surface. Users must make allowances for job conditions such as soft or uneven ground.
- Lifting capacities shown do not exceed 75% of the minimum tipping loads or 87% of the hydraulic capacities. Lifting capacities marked with an asterisk (\*) are limited by hydraulic capacities.
- The least stable position is lifting over the side.
- Operators should be fully acquainted with the Operator's Manual & Operating Safety Booklet, furnished by LBX Company LLC before operating the machine.
- Lift capacities apply only to the machine as originally manufactured and normally equipped by LBX Company LLC.
- This lift chart is without bucket, bucket cylinder, and bucket linkage. If the machine is equipped with any of these components the weight of those components must be deducted from the listed lifting capacities.
- Weight of removed components: bucket cylinder 292.6 lbs (132.7 kg) and linkage 372.1 lbs (168.8 kg).

# 170 X4S SPECIFICATIONS

## STANDARD EQUIPMENT

### CAB

- 270° WAVES 3-Camera System
- 12V Power Outlet
- AM/FM Sound System
- Anti-Theft Device
- Auxiliary Switches on Control Lever
- Bluetooth
- Cab Air Filter - External
- Cab Handrails
- Cab Interior Light
- Cab ISO-Mounts
- LED Cab Lights
- Clear Roof Window
- Climate Control A/C and Heater
- Cup Holder (2)
- Defroster
- Digital Clock
- Emergency Exit and Hammer
- Face Vent
- Floor Mat (Split)
- Front Window One-Touch Lock
- Gate Lock Hydraulic Activation
- Horn
- Hour Meter (Digital)
- LCD 10" Color Monitor
- Maintenance Interval Reminders
- MP3 Auxiliary Input
- On-Board Diagnostic
- Radio Mute Switch
- Rear View Camera
- Rear View Mirrors (2)
- RemoteCARE Support System (GPS)
- Roof Sun Shade
- ROPS/FOPS Level 1 Certified Structure
- Safety Glass Windows
- SCM Air-Suspension Seat with Tilt & Heater
- Seat Recline
- Selectable Monitor Languages

- Small Storage
- Smart Phone Tray
- Travel Alarm with Cancel Switch
- Trip Meter (Digital)
- Wiper & Washer
- Wiper Switch on RH Joystick

### ENGINE

- 80A Alternator
- Air Filter (Double Element)
- Air Filter Restriction Indicator
- Auto Warm-Up System
- Auto-Idle
- Auto-Idle Shutdown
- Battery Disconnect Switch w/ LED Light
- Cooling Fan
- DEF Gauge on Monitor
- Diesel Particulate Filter (DPF)
- Diesel Oxidation Catalyst (DOC)
- Drain for Fuel Tank
- Dual Remote Fuel Filters with Water Separators
- EGR Coolers
- Emergency Engine Stop
- Engine Oil Sample Port
- Engine Protection Feature
- External Fuel Gauge
- External DEF Gauge
- Fan Belt Auto Tensioner
- Fan Housing
- Fuel Cooler
- Fuel Filter Restriction Indicator
- Fuel Management System
- Fuel Usage History
- Fuel Usage Monitor
- Glow Plug Pre-Heat
- Idle-Start

- Intercooler
- Neutral Start
- One-Touch Idle
- Radiator / Oil Cooler / Intercooler Protective Screens
- Remote Engine Oil Drain
- Remote Oil Filter
- Selective Catalytic Reduction (SCR)
- Turbocharger

### HYDRAULICS

- Anti-drift valves (Arm & Boom)
- Arm Regeneration
- Arm Speed Assistance (2 Pump Flow)
- Attachment Cushion Valve
- Auto Swing Priority
- Custom Flow Control
- Auxiliary Tool Settings (Custom Naming)
- Auxiliary Valve
- Boom Regeneration
- Boom Speed Assistance (2 Pump Flow)
- Bucket Curl Assist
- Control Levers Pre-Wired for Auxiliary Hyd.
- Pattern Control Valve (2 way)
- Electronically Controlled Hydraulic Pumps
- Fire Wall
- Free Swing
- Hydraulic Filter Restriction Indicator
- Hydraulic Oil Sample Port
- Long Life Hydraulic Oil (5,000 Hour)
- Neutral Pump De-Stroke
- Oil Cooler
- Power Boost

- Power Save
- Pressure Reading on Monitor
- Pump Stand-By Pressure

### UNDERCARRIAGE

- 600 mm shoes (23.6 in) 3-Bar Steel
- Extended Steps
- Lashing Points (Tie-Downs)
- Sealed Link Chain
- Single Track Guide
- Strutted Track Chain
- Swivel Guard

### UPPERSTRUCTURE

- Counterweight (6,720 lbs)
- Center Cover (Over Main CV)
- Fuel Tank Belly Pan
- ISO Guard Rails
- LED Tool Box Light
- Lockable Fuel Cap and Service Doors
- Lockable Hydraulic Oil Tank Cap
- Lockable Engine Hood
- Lockable Tool Box

### ATTACHMENT

- 8' 7" (2.62 m) Arm
- 16' 11" (5.15 m) Main HD Boom Section
- Auxiliary Pipe Brackets
- Bucket Anti Clatter
- Chrome Pins
- HD Bucket Linkage
- LED Boom Light
- Quick Coupler Lines
- Precision Grade Brackets
- Teardrop Pin Retention Keepers

# 170 X4S SPECIFICATIONS

## OPTIONAL EQUIPMENT

### CAB

- 270° WAVES+ 3-Camera System
- Cab Sun Visor (Front)
- CAB Head Guard (FOPS Level 2)
- Front Guard (Mesh)
- Front Guard (BAR - OPG Level 1)
- Front Guard (BAR - OPG Level 2)
- LED Lights for WAVES Cameras (4)
- Rain Deflector
- Vandal Cover (Front Window)

### ENGINE

- Air Pre-Cleaner
- Reversible Cooling Fan

### HYDRAULICS

- Hose Burst Check Valve

### AUXILIARY HYDRAULIC OPTIONS

- Multi-Function Aux. w/ in-cab Pressure Settings and Proportional Joystick
- Combination Aux. w/ in-cab Pressure Settings and Proportional Joystick

### UNDERCARRIAGE

- 600 mm shoes (23.6 in) 3-Bar Steel
- 700 mm shoes (27.5 in) 3-Bar Steel
- Triple Track Guards

### ATTACHMENT

- 8' 7" (2.62 m) HD Arm
- 10' 0" (3.05 m) Arm

### UPPERSTRUCTURE

- Heavy Duty Counterweight (7,600 lbs)

## BUCKET SIZES



Scan the QR code to find the right size bucket, thumb, and coupler combination for the 170 X4S.

Or visit [qrco.de/bdwHWn](https://qrco.de/bdwHWn)



#LBX2488 · 5/23

LBX® and Link-Belt® are registered trademarks. Copyright 2023. All rights reserved. We are constantly improving our products and therefore reserve the right to change designs and specifications.

**Link-Belt**  
EXCAVATORS